

# INSTALLATION, OPERATION AND MAINTENANCE INSTRUCTIONS, for the User and the Installer

## SMART Line

Smart ME

200 - 300 - 400 - 600 - 800



<b>GENERAL RECOMMENDATIONS .....</b>	<b>4</b>
<b>PRODUCT INFORMATION .....</b>	<b>5</b>
Energy labelling .....	5
Rating Plate.....	6
<b>USER'S GUIDE .....</b>	<b>7</b>
Control panel (Only Smart ME 200 - 300 - 400) .....	7
<b>APPLIANCE DESCRIPTION .....</b>	<b>8</b>
<b>TECHNICAL CHARACTERISTICS .....</b>	<b>10</b>
Main characteristics : Smart ME 200 - 300 .....	10
Dimensions : Smart ME 200 - 300 .....	11
Main characteristics : Smart ME 400 - 600 - 800 .....	12
Dimensions : Smart ME 400 - 600 - 800 .....	13
Heating connections .....	14
Domestic hot water connections.....	16
Domestic hot water performances.....	17
G3 Requirements and Guidance - UK only .....	18
Maximum Operating Conditions.....	22
Electrical characteristics .....	22
<b>INSTALLATION .....</b>	<b>24</b>
Package contents .....	24
Tools required for the installation.....	25
Safety instructions.....	26
Preparation of the Tank (Smart ME 600 - 800).....	28
Connection .....	30
Connection to the DHW circuit.....	31

Connection to the primary circuit .....	32
Examples of different possible combinations of the Smart ME .....	33
Smart ME tank used as electric DHW tank only .....	34
<b>STARTING UP .....</b>	<b>35</b>
Safety instructions to fill the tank .....	35
Filling .....	36
Checks before starting up .....	38
Starting up .....	38
<b>MAINTENANCE .....</b>	<b>39</b>
Periodic checks by the user .....	39
Annual maintenance .....	39
Draining .....	40
Bringing back into service after maintenance .....	41
Fault finding .....	42

#### Customer/Technical Assistance & Order Information

**ACV UK Ltd**, St David's Business Park Dalgety Bay, Fife, KY11 9PF

Telephone: 01383 820100  
e-mail: [uk.info@acv.com](mailto:uk.info@acv.com)

Fax: 01383 820180  
web: [www.acv.com](http://www.acv.com)

Further copies of instructions can be downloaded at: [www.acv.com](http://www.acv.com)

Manufactured at:  
**ACV International**  
Parc Industriel de Seneffe 1  
7180 Seneffe  
Belgium

Manufactured at:  
**ACV International**  
Nová Dubnica  
Slovakia

e-mail: [international.info@acv.com](mailto:international.info@acv.com)  
web: [www.acv.com](http://www.acv.com)



For further information on the HWA Charter Membership, please refer to the HWA website: [www.hotwater.org.uk](http://www.hotwater.org.uk)

## NOTES

This manual contains important information with respect to the installation, the starting up and the maintenance of the appliance.

This manual must be provided to the user, who will read it carefully and keep it in a safe place.

We accept no liability should any damage result from the failure to comply with the instructions contained in this technical manual.



### Essential recommendations for safety

- It is strictly prohibited to carry out any modifications to the appliance without the manufacturer's prior and written agreement.
- The product must be installed by a qualified engineer, in accordance with applicable local standards and regulations.
- The installation must comply with the instructions contained in this manual and with the standards and regulations applicable to domestic hot water tanks.
- Failure to comply with the instructions in this manual could result in personal injury or a risk of environmental pollution.
- The manufacturer declines all liability for any damage caused as a result of incorrect installation or in the event of the use of appliances or accessories that are not specified by the manufacturer.



### Essential recommendations for the correct operation of the appliance

- In order to ensure that the appliance operates correctly, it is essential to have it serviced by a certified installer or maintenance contractor every year.
- In case of anomaly, please call your installer for advice.
- Faulty parts may only be replaced by genuine parts.
- Our water heaters are designed and manufactured for the exclusive purpose of heating and storing domestic hot water.
- The domestic hot water heaters must only be heated using hot water in a closed circuit.



### General remarks

- The availability of certain models as well as their accessories may vary according to markets.
- The manufacturer reserves the right to change the technical characteristics and features of its products without prior notice.
- The part number (P/N) and serial number (S/N) of the appliance are indicated on its rating plate and must be provided to ACV in case of warranty claim. Failure to do so will make the claim void.
- In spite of the strict quality standards that ACV applies to its appliances during production, inspection and transport, faults may occur. Please immediately notify your approved installer of any faults.

## ENERGY LABELLING

### PRODUCT FICHE

**ACV International**  
 Oude Vijverweg 6  
 B-1653 Dworp  
 Belgium



**Product Model**  
 Smart ME 200  
 Smart ME 300  
 Smart ME 400  
 Smart ME 600  
 Smart ME 800

#### General purpose hot water storage tank

Smart ME 200





Smart ME 300  
 Smart ME 400



	Smart ME				
	200	300	400	600	800
Energy efficiency class	B	C	C	-	-
Standing Loss *	57 W	77 W	87 W	120 W	134 W
Hot water storage volume	203L	303L	395L	606L	800L

\* According to EN12897:2006

## RATING PLATE

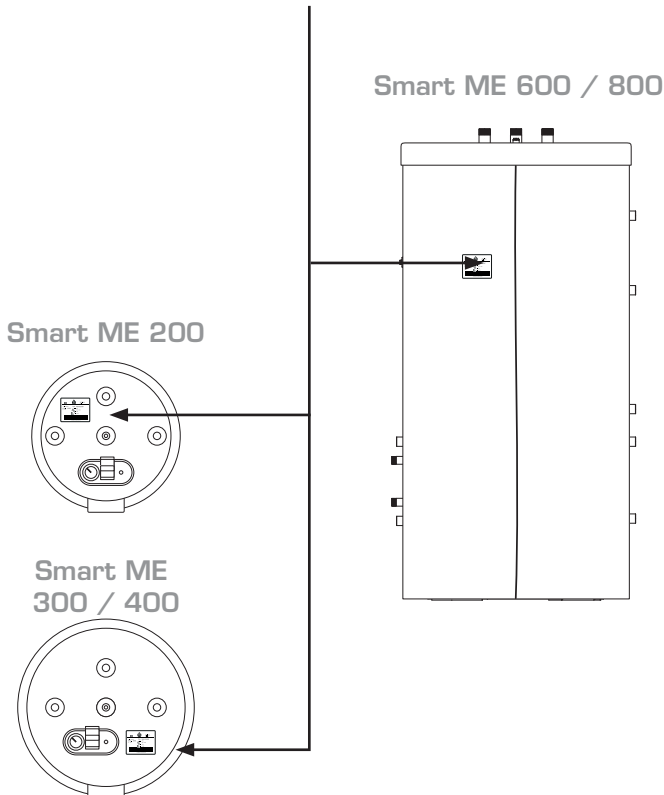
	Oude Vijverweg 6, 1653 Dwingelo, BELGIUM www.acv.be	<b>Type :</b> Smart ME 200	
		<b>PIN :</b> A1002047 <b>S/N :</b> A001500	

Standard: EN 12897:2006

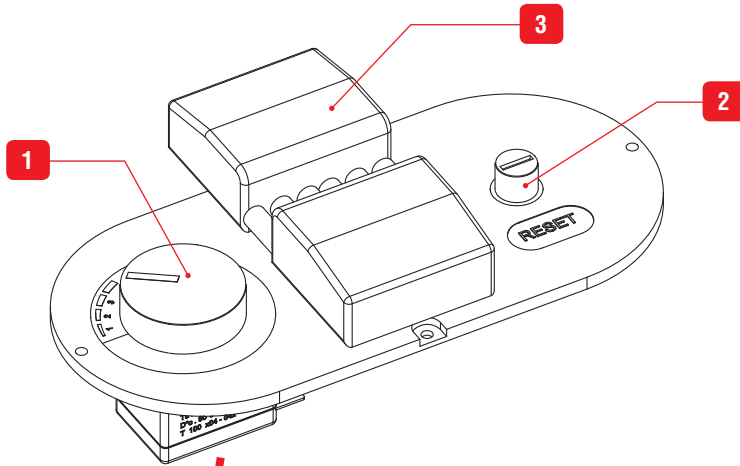
Sanitary Operating Pressure	8,6 bar
Primary Operating Pressure	4 bar
Maximum Design Pressure	10 bar
Primary Heating Power Input	32 kW
Primary Flow Rate	0,70 l/s
Actual Capacity	203 L
Standing Heat Loss	1,37 kWh/24h
Maximum Temperature	90 °C
Rated Voltage	230V 50 Hz



(2) 00000 (9) 0000000 (92) 9999



## CONTROL PANEL (ONLY SMART ME 200 - 300 - 400)

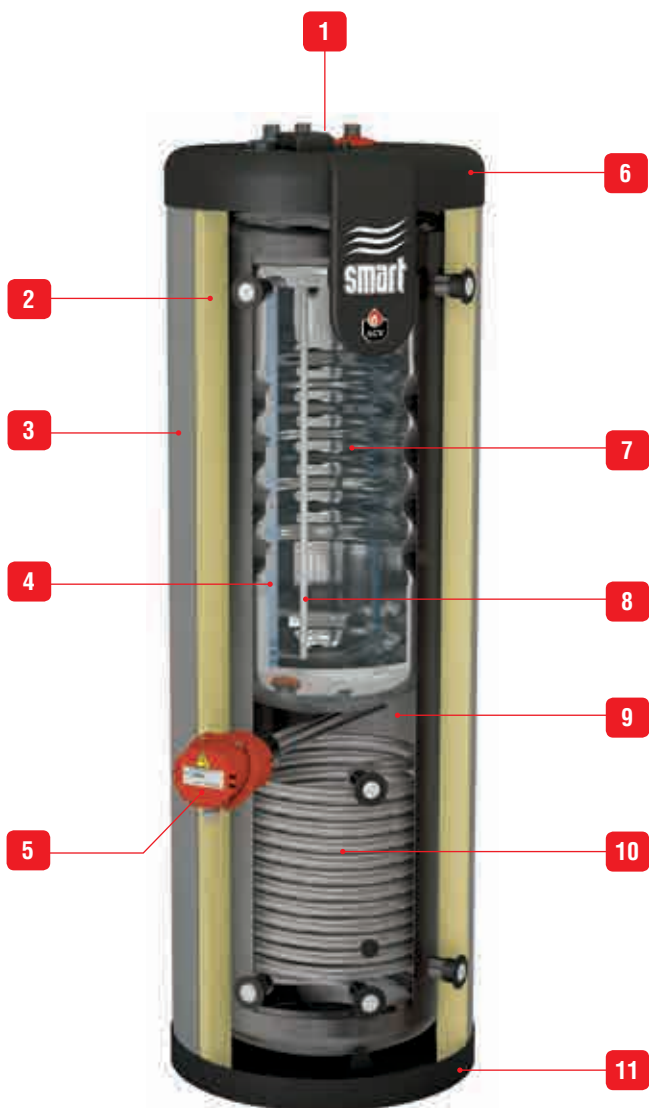


## Key :

1. **Control thermostat [60/80°C]** - to set the domestic hot water (DHW) temperature.
2. **Manual reset high limit thermostat** - to restart the tank after overheating of the primary circuit.
3. **Connection plug** - to connect the electrical power supply.
4. **Thermometer** - indicates the temperature of the DHW. (Only Smart ME 200 - 300 - 400)

**MODELS - Smart ME 200 - 300 - 400 - 600 - 800**

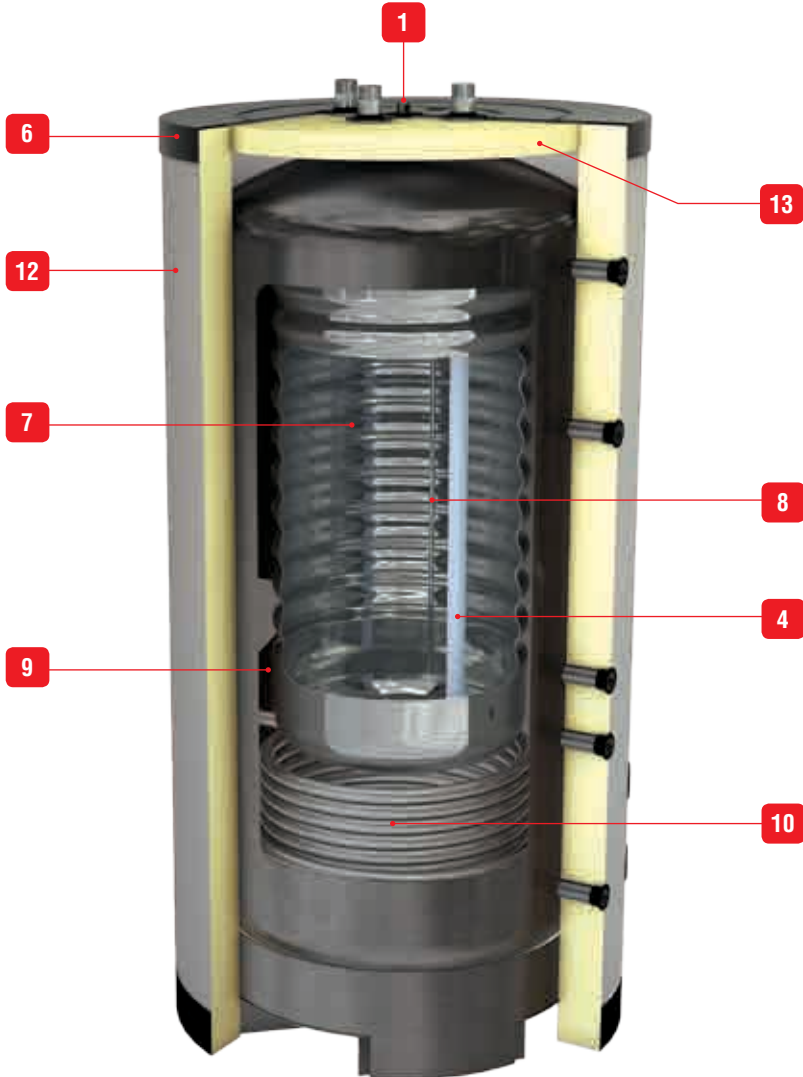
High efficiency storage water tanks, multi-energy type, to be installed on the floor. Possibility to heat by coil, by heat transfer fluid or by optional electrical resistance (except for Smart ME 800).



Smart ME 200



- |  |                                       |
|--|---------------------------------------|
| 1. Manual air bleed valve                | 8. Dry well                           |
| 2. Polyurethane foam insulation          | 9. Outer steel tank (primary circuit) |
| 3. Polypropylene shell                   | 10. Steel coil                        |
| 4. Dip tube                              | 11. Polypropylene bottom lid          |
| 5. Electrical heating element (optional) | 12. Soft insulation                   |
| 6. Polypropylene top lid                 | 13. Soft insulation disk              |
| 7. Stainless steel tank (DHW)            |                                       |



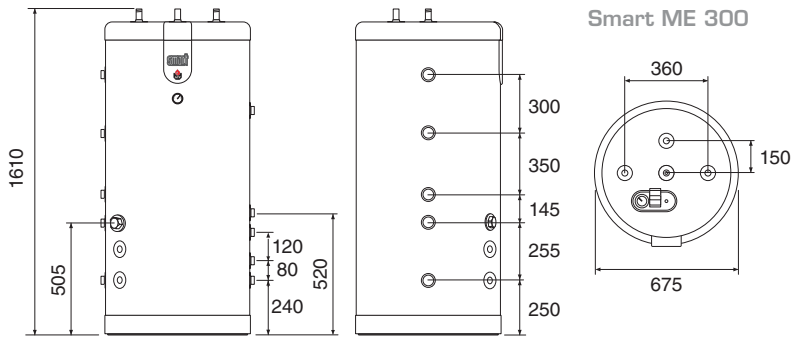
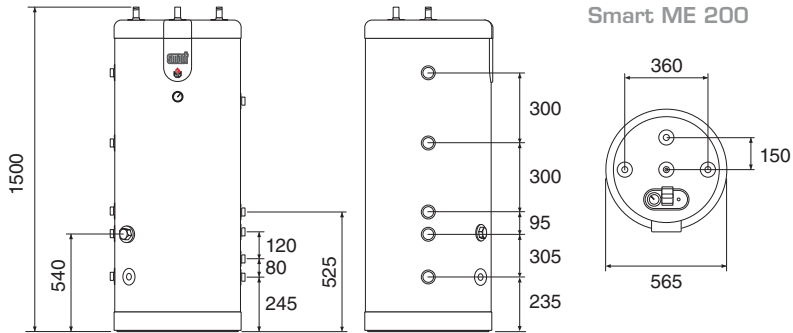
Smart ME 800

## MAIN CHARACTERISTICS : SMART ME 200 - 300

Main characteristics		Smart ME	
		200	300
Total capacity	L	203	303
Primary circuit capacity (heating)	L	95.7	165
DHW circuit capacity	L	99	126
Coil capacity	L	8.3	12
Primary pressure drop*	mbar	41.6	51.2
Coil pressure drop	mbar	460	533
Tank heating surface	m <sup>2</sup>	1.26	1.46
Coil heating surface	m <sup>2</sup>	1.42	1.80
Max. Design Pressure *	bar	10	10
Reheat Performance - Primary Heating Power Input*	kW	24.7	29.7
Primary flow rate (to achieve Reheat Performance) *	L/s	0.7	1.23
Coil fluid flow rate	L/h	3000	3000
Reheat time (heating source = internal coil)	min	70	75
Reheat time* (heating source = external boiler)	min	10	10
Standing Heat Loss*	kWh/24h	1.37	1.85
	W	57	77
Empty weight	kg	68	99

\* According to EN12897:2006

**DIMENSIONS : SMART ME 200 - 300**

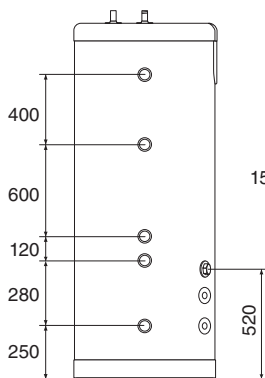
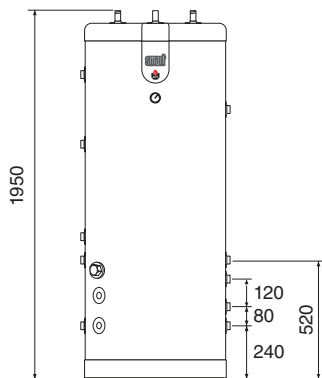


## MAIN CHARACTERISTICS : SMART ME 400 - 600 - 800

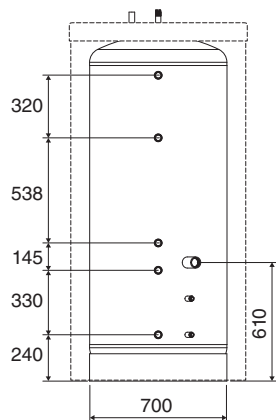
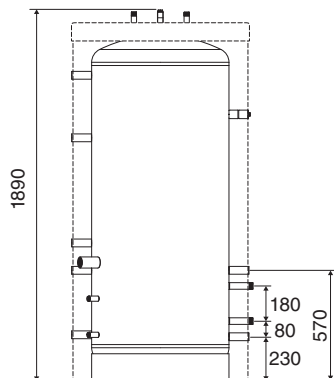
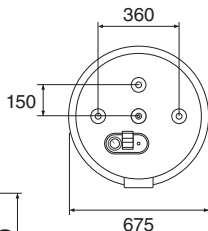
Main characteristics		Smart ME		
		400	600	800
Total capacity	L	395	606	800
Primary circuit capacity (heating)	L	219	365	517
DHW circuit capacity	L	164	225	263
Coil capacity	L	12	16	20
Primary pressure drop*	mbar	53.5	5.6	58.5
Coil pressure drop	mbar	533	186	216
Tank heating surface	m <sup>2</sup>	1.94	1.90	2.65
Coil heating surface	m <sup>2</sup>	1.80	2.50	3.00
Max. Design Pressure *	bar	10	10	10
Reheat Performance - Primary Heating Power Input*	kW	45.6	50.2	54
Primary flow rate (to achieve Reheat Performance) *	L/s	1.25	1.25	1.25
Coil fluid flow rate	L/h	3000	3000	3000
Reheat time (heating source = internal coil)	min	75	99	109
Reheat time* (heating source = external boiler)	min	10	10	10
Standing Heat Loss*	kWh/24h	2.09	2.88	3.22
	W	87	120	134
Empty weight	kg	120	180	220

\* According to EN12897:2006

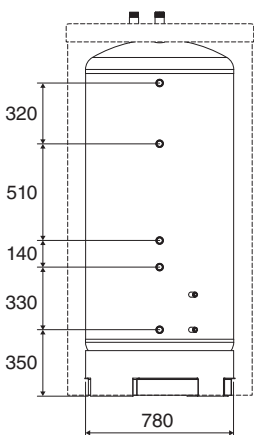
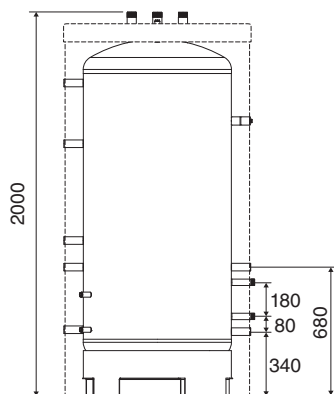
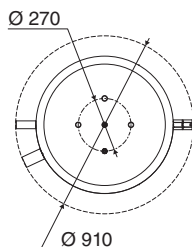
**DIMENSIONS : SMART ME 400 - 600 - 800**



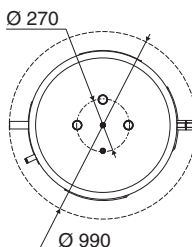
Smart ME 400



Smart ME 600



Smart ME 800



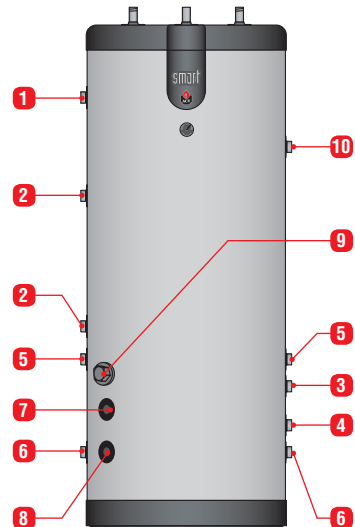
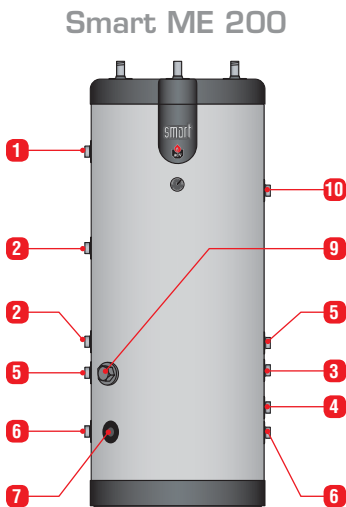
## HEATING CONNECTIONS

## Connections dimensions

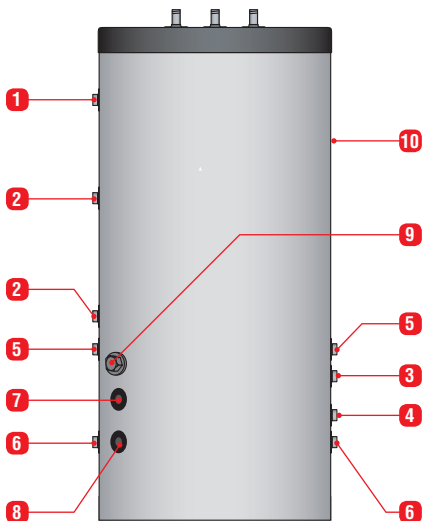
Models	Heating connection	Coil connection	Optional electrical heating element connection
Smart ME 200	Ø 1" [F]	Ø 1" [M]	Ø 1"½ [F]
Smart ME 300	Ø 1" [F]	Ø 1" [M]	Ø 1"½ [F]
Smart ME 400	Ø 1" [F]	Ø 1" [M]	Ø 1"½ [F]
Smart ME 600	Ø 1" [F]	Ø 1" [M]	Ø 1"½ [F]
Smart ME 800	Ø 1" [F]	Ø 1" [M]	—

1. After-heating flow connection
2. After-heating return connection
3. Coil flow connection
4. Coil return connection
5. Heating flow connection
6. Heating return connection
7. Sensor pocket (coil)
8. Sensor pocket (lowest temperature tank)
9. Optional electrical heating element connection
10. Attachment point for hydraulic kit (optional)

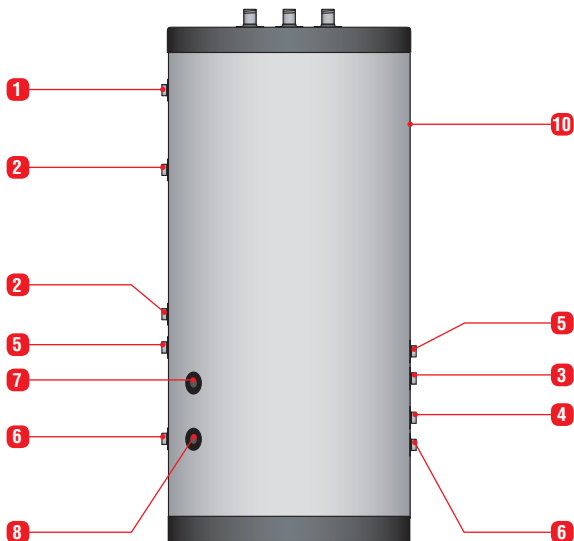
## Smart ME 300 / 400



### Smart ME 600



### Smart ME 800



## DOMESTIC HOT WATER CONNECTIONS

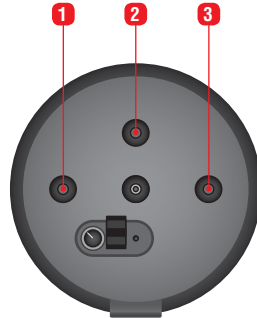
### Pipe dimensions

Models	Cold / hot water connections	Auxiliary connections
Smart ME 200	Ø 3/4" [M]	Ø 3/4" [M]
Smart ME 300	Ø 3/4" [M]	Ø 3/4" [M]
Smart ME 400	Ø 3/4" [M]	Ø 3/4" [M]
Smart ME 600	Ø 3/4" [M]	Ø 3/4" [M]
Smart ME 800	Ø 1"½ [M]	Ø 1"½ [M]

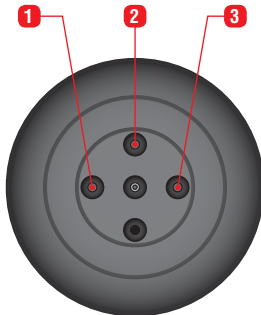
1. Cold water inlet connection
2. Auxiliary connection (DHW)
3. Domestic hot water connection



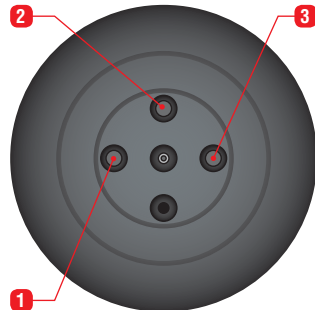
Smart ME 200



Smart ME 300 / 400



Smart ME 600



Smart ME 800



**DOMESTIC HOT WATER PERFORMANCES**

DHW performance : Heating source = Coil *			Smart ME				
			200	300	400	600	800
Peak flow at	40°C [ΔT = 30K]	L/10'	321	418	558	686	860
	45°C [ΔT = 35K]	L/10'	275	348	464	582	737
	60°C [ΔT = 50K]	L/10'	161	206	274	358	444
Constant flow at	40°C [ΔT = 30K]	L/h	501	564	752	876	998
	45°C [ΔT = 35K]	L/h	401	460	614	702	855
	60°C [ΔT = 50K]	L/h	207	235	314	364	437
Peak flow 1 <sup>st</sup> hour at	40°C [ΔT = 30K]	L/60'	738	888	1184	1416	1691
	45°C [ΔT = 35K]	L/60'	609	732	976	1167	1450
	60°C [ΔT = 50K]	L/60'	333	402	536	661	808
Maximum absorbed power **		kW	16	19	25	29	35

DHW performance : Heating source = External boiler connected to tank *			Smart ME				
			200	300	400	600	800
Peak flow at	40°C [ΔT = 30K]	L/10'	321	418	558	686	922
	45°C [ΔT = 35K]	L/10'	275	348	464	582	790
	60°C [ΔT = 50K]	L/10'	161	206	274	358	504
Constant flow at	40°C [ΔT = 30K]	L/h	890	967	1289	1423	2093
	45°C [ΔT = 35K]	L/h	763	786	1048	1172	1794
	60°C [ΔT = 50K]	L/h	450	461	614	693	1037
Peak flow 1 <sup>st</sup> hour at	40°C [ΔT = 30K]	L/60'	1063	1225	1633	1872	2666
	45°C [ΔT = 35K]	L/60'	911	1003	1338	1559	2285
	60°C [ΔT = 50K]	L/60'	536	590	786	935	1368
Maximum absorbed power **		kW	31	32	43	48	73

\* Conditions : Primary circuit temperature : 85°C, water intake temperature : 10°C

\*\* Domestic hot water (DHW) : 45°C

## G3 REQUIREMENTS AND GUIDANCE - UK ONLY

### Discharge pipe from safety valves

The *Building Regulation G3* requires that any discharge from an unvented system is conveyed to where it is visible, but will not cause danger to persons in or about the building.

The tundish and discharge pipes should be fitted in accordance with the requirements and guidance notes of Building Regulation G3. The G3 Requirements and Guidance sections 3.50 - 3.63 are detailed below.

For discharge pipe arrangements not covered by G3 Guidance advice should be sought from your local Building Control Officer.

Main characteristics :

- Any discharge pipe connected to the pressure relief devices (Expansion Valve and Temperature/Pressure Relief Valve) must be installed in a continuously downward direction and in a frost free environment.
- Water may drip from the discharge pipe of the pressure relief device.
- This pipe must be left open to the atmosphere.
- The pressure relief device is to be operated regularly to remove lime deposits and to verify that it is not blocked.

A typical discharge pipe arrangement is shown further on.



#### General remarks

- Discharge pipe-work D2 can now be a plastic pipe but only pipes that have been tested to a minimum 110°C must be used.
- Discharge pipe D2 can now be plumbed into the soil stack but only soil stacks that can handle temperatures of 99°C or greater should be used.

### Extract from “The Building Regulation G3” :

#### Discharge pipe D1

- 3.50 *Safety devices such as temperature relief valves or combined temperature and pressure and pressure relief valves (see paragraphs 3.13 or 3.18) should discharge either directly or by way of a manifold via a short length of metal pipe (D1) to a tundish.*
- 3.51 *The diameter of discharge pipe (D1) should be not less than the nominal outlet size of the temperature relief valve.*
- 3.52 *Where a manifold is used it should be sized to accept and discharge the total discharge from the discharge pipes connected to it.*
- 3.53 *Where valves other than the temperature and pressure relief valve from a single unvented hot water system discharge by way of the same manifold that is used by the safety devices, the manifold should be factory fitted as part of the hot water storage system unit or package.*

#### Tundish

- 3.54 *The tundish should be vertical, located in the same space as the unvented hot water storage system and be fitted as close as possible to, and lower than, the valve, with no more than 600mm of pipe between the valve outlet and the tundish.*

**Note:** *To comply with the Water Supply (Water Fittings) Regulations, the tundish should incorporate a suitable air gap.*

- 3.55 *Any discharge should be visible at the tundish. In addition, where discharges from safety devices may not be apparent, e.g. in dwellings occupied by people with impaired vision or mobility, consideration should be given to the installation of a suitable safety device to warn when discharge takes place, e.g. electronically operated.*

*Discharge pipe D2*

- 3.56 *The discharge pipe (D2) from the tundish should:*
- (a) have a vertical section of pipe at least 300mm long below the tundish before any elbows or bends in the pipework; and*
  - (b) be installed with a continuous fall thereafter of at least 1 in 200.*
- 3.57 *The discharge pipe (D2) should be made of:*
- (a) metal; or*
  - (b) other material that has been demonstrated to be capable of safely withstanding temperatures of the water discharged and is clearly and permanently marked to identify the product and performance standard (e.g. as specified in the relevant part of BS 7291)*
- 3.58 *The discharge pipe (D2) should be at least one pipe size larger than the nominal outlet size of the safety device unless its total equivalent hydraulic resistance exceeds that of a straight pipe 9m long, i.e. for discharge pipes between 9m and 18m the equivalent resistance length should be at least two sizes larger than the nominal outlet size of the safety device; between 18 and 27m at least 3 sizes larger, and so on; bends must be taken into account in calculating the flow resistance. See figure, table and the worked example.*
- 3.59 *Where a single common discharge pipe serves more than one system, it should be at least one pipe size larger than the largest individual discharge pipe (D2) to be connected.*
- 3.60 *The discharge pipe should not be connected to a soil discharge stack unless it can be demonstrated that the soil discharge stack is capable of safely withstanding temperatures of the water discharged, in which case, it should:*
- (a) contain a mechanical seal, not incorporating a water trap, which allows water into the branch pipe without allowing foul air from the drain to be ventilated through the tundish;*
  - (b) be a separate branch pipe with no sanitary appliances connected to it;*
  - (c) if plastic pipes are used as branch pipes carrying discharge from a safety device they should be either polybutalene (PB) to Class S of BS 7291-2:2006 or cross linked polyethylene (PE-X) to Class S of BS 7291-3:2006; and (d) be continuously marked with a warning that no sanitary appliances should be connected to the pipe.*

*Note:*

- 1. Plastic pipes should be joined and assembled with fittings appropriate to the circumstances in which they are used as set out in BS EN ISO 1043-1.*
- 2. Where pipes cannot be connected to the stack it may be possible to route a dedicated pipe alongside or in close proximity to the discharge stack.*

*Termination of discharge pipe*

- 3.61 *The discharge pipe (D2) from the tundish should terminate in a safe place where there is no risk to persons in the vicinity of the discharge.*
- 3.62 *Examples of acceptable discharge arrangements are:*
- (b) to a trapped gully with the end of the pipe below a fixed grating and above the water seal;*
  - (c) downward discharges at low level; i.e. up to 100mm above external surfaces such as car parks, hard standings, grassed areas etc. are acceptable providing that a wire cage or similar guard is positioned to prevent contact, whilst maintaining visibility; and*
  - (d) discharges at high level: e.g. into a metal hopper and metal downpipe with the end of the discharge pipe clearly visible or onto a roof capable of withstanding high temperature discharges of water and 3m from any plastic guttering system that would collect such discharges.*

3.63 The discharge would consist of high temperature water and steam. Asphalt, roofing felt and non-metallic rainwater goods may be damaged by such discharges.

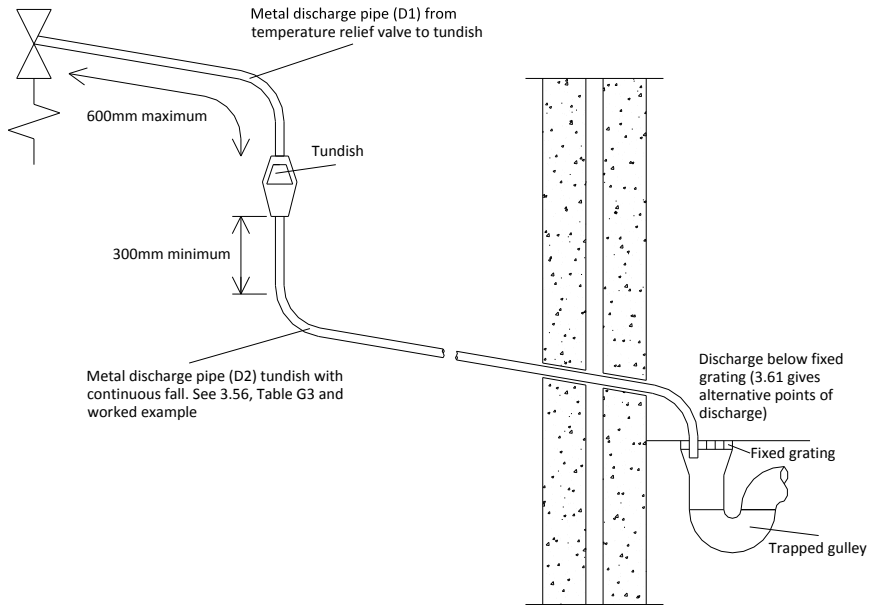


Figure G3: Typical discharge pipe arrangement

Table G3 – Sizing of copper discharge pipe 'D2' for common temperature relief valve outlet sizes

Valve outlet size	Minimum size of discharge pipe D1	Minimum size of discharge pipe D2 from tundish	Maximum resistance allowed, expressed as a length of straight pipe (i.e. no elbows or bends)	Resistance created by each elbow or bend.
G½	15mm	22mm	Up to 9m	0.8m
		28mm	Up to 8m	1.0m
		35mm	Up to 27m	1.4m
G¾	22mm	28mm	Up to 9m	1.0m
		35mm	Up to 8m	1.4m
		42mm	Up to 27m	1.7m
G1	28mm	35mm	Up to 9m	1.4m
		42mm	Up to 8m	1.7m
		54mm	Up to 27m	2.3m

### Worked example of discharge pipe sizing

Figure on the left shows a G1/2 temperature relief valve with a discharge pipe (D2) having 4 No. elbows and length of 7m from the tundish to the point of discharge.

#### From Table:

Maximum resistance allowed for a straight length of 22mm copper discharge pipe (D2) from a G1/2 temperature relief valve is 9.0m.

- Subtract the resistance for 4 No. 22mm elbows at 0.8m each = 3.2m
- Therefore the permitted length equates to: 5.8m
- 5.8m is less than the actual length of 7m therefore calculates the next largest size.

Maximum resistance allowed for a straight length of 28mm pipe (D2) from a G1/2 temperature relief valves equates to 18m.

- Subtract the resistance of 4 No. 28mm elbows at 1.0m each = 4.0m
- Therefore the maximum permitted length equates to: 14m
- As the actual length is 7m, a 28mm (D2) copper pipe will be satisfactory.



### Essential recommendations for safety

- The temperature/pressure relief valve should only be replaced by a competent person.
- No control or safety valves should be tampered with or used for any other purpose.
- The discharge pipe should not be blocked or used for any other purpose.
- The tundish should not be located adjacent to any electrical components

## MAXIMUM OPERATING CONDITIONS

		Smart ME				
		200	300	400	600	800
Max. operating pressure - primary	bar	4	4	4	4	4
Max. operating pressure - DHW	bar	8.6	8.6	8.6	8.6	8.6
Supply pressure (DHW circuit)	bar	6	6	6	6	6
Maximum temperature - heating side	°C	90	90	90	90	90
Maximum temperature - DHW side	°C	80	80	80	80	80
Water quality		<ul style="list-style-type: none"> <li>• Chlorides &lt; 150 mg/L</li> <li>• <math>6 \leq \text{pH} \leq 8</math></li> <li>• If hardness &gt; 20°fH, water softener recommended.</li> </ul>				

## ELECTRICAL CHARACTERISTICS

Main characteristics		Smart ME		
		200	300	400
Rated voltage	V~	230	230	230
Rated frequency	Hz	50	50	50

### Optional heating element for Smart ME

The models Smart ME 200 - 300 - 400 - 600 can be installed with a self- controlled heating element with built-in control safety thermostats. The control thermostat of the tank cannot control the heating element. To be mounted with an external box with a switch and a circuit breaker - not included in the delivery.

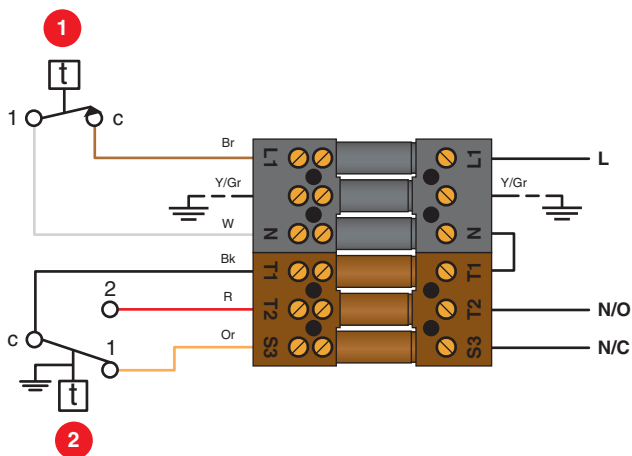


Volt	Amp	Power	Code
1 x 230 V	13	3 kW	10800081
3 x 400 V + N	4.4	3 kW	10800082
1 x 230 V	26	6 kW	10800083
3 x 400 V + N	8.8	6 kW	10800084

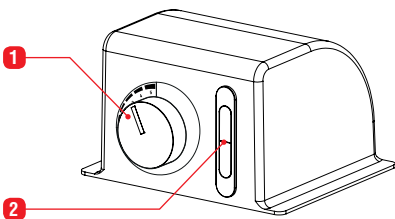
### Wiring diagram : Smart ME 200 - 300 - 400

1. Manual reset high limit thermostat
2. Control thermostat [60/80°C]

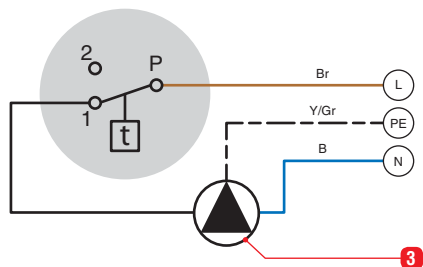
- Bk. Black
- Br. Brown
- Or. Orange
- R. Red
- W. White
- Y/Gr. Yellow/Green



### Optional kit thermostat : Smart ME 600 - 800 : (10800260)



1. Control thermostat [60/80°C]
2. Thermometer
3. Load pump (optional)



- B. Blue
- Br. Brown
- Y/Gr. Yellow/Green

(Wiring to be executed at installation)

## PACKAGE CONTENTS

The Smart ME 200 - 300 - 400 appliances are delivered assembled, tested and packed.

The Smart ME 600 - 800 appliances are delivered, tested and packed separately.



**At product reception and after removal of packaging, check the package contents and that the appliance is free of damages.**

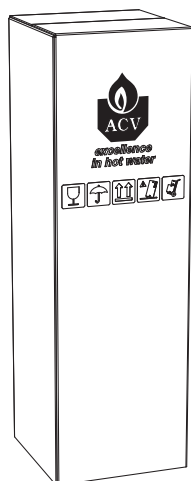
### Contents packaging N° 1 :

- A domestic hot water tank Smart ME.
- A multilingual Installation, operation and maintenance instruction manual.
- Rating plate (only Smart ME 600 / 800)
- Energy label

### Contents packaging N° 2 : (only Smart ME 600 / 800)

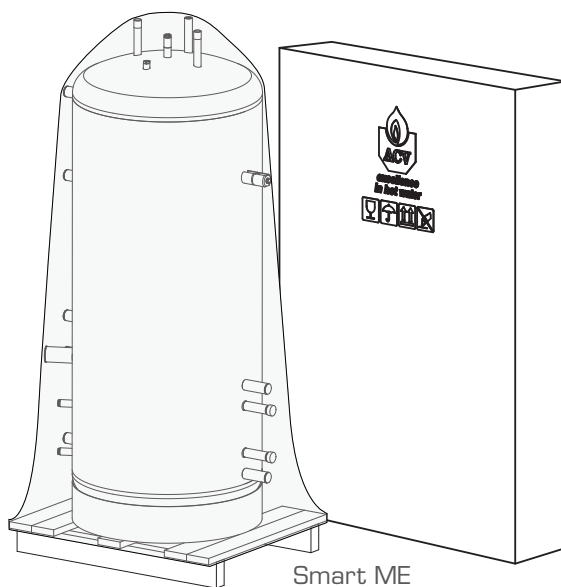
- Soft casing
- Soft insulation disk
- Top cover
- All required caps

Pack N°1



Smart ME  
200 - 300 - 400

Pack N°1 + Pack N°2



Smart ME  
600 - 800



**TOOLS REQUIRED FOR THE INSTALLATION**



For installation of the soft casing, refer to "Preparation of the Tank (Smart ME 600 - 800)", page 28.



**General remark**

- Make sure to place the rating plate on the outer casing of the tank, so that it is easily accessible and readable.

## SAFETY INSTRUCTIONS



### General remarks

- Connections (electrical, hydraulic) must be carried out in accordance with applicable standards and regulations.
- If the water drawing off point is far from the tank, installing an auxiliary DHW loop can allow to get hot water more quickly at all times.



### Essential instructions for the correct operation of the system

- The tank must be installed in a dry and protected area.
- Install the appliance to ensure easy access at all times.
- To avoid any risk of corrosion, connect the stainless steel tank directly to the earth.
- Make sure to install a pressure reducing valve set at 4.5 bar in the DHW circuit if the supply pressure is higher than 6 bar.
- On the DHW circuit, install an approved safety group, comprised of a safety valve set at 7 bar, a check valve and a stop valve.
- Make sure that the outlet of the safety unit goes directly to the sewer to avoid any potential damage.
- Do not install the safety group above the tank to avoid water discharge on to the tank.
- Make sure to install a domestic expansion vessel of the appropriate size to avoid discharge from the safety valve (loss of water). Refer to the expansion vessel manufacturer's technical instructions for more details.



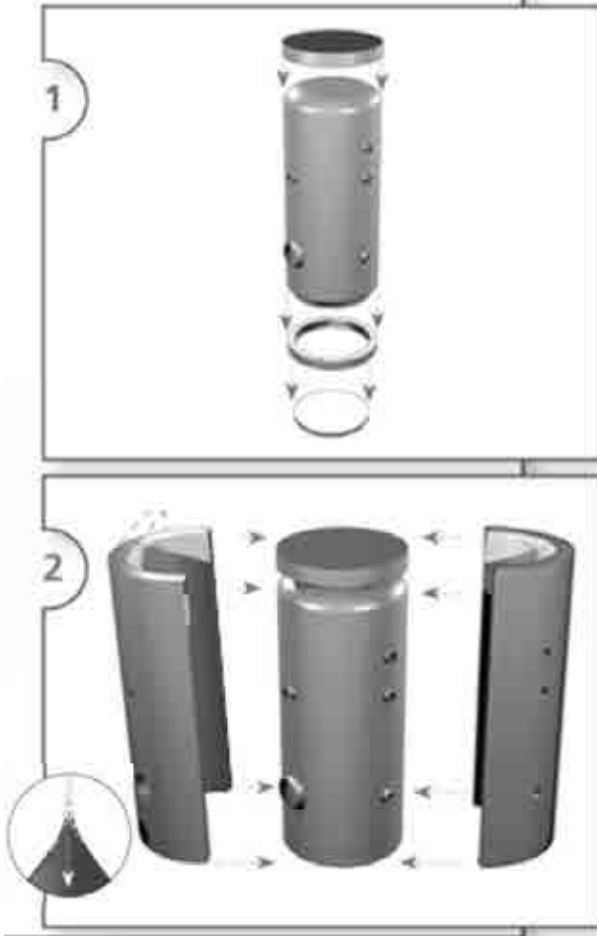
### Essential instructions for the safety of persons and the environment

- **Hot water can burn!**  
In the event of small amounts of hot water repeatedly being drawn off, a stratification effect can develop in the tank. The upper hot water layer may then reach very high temperatures.
- ACV recommends using a pre-set thermostatic mixing valve in order to provide hot water at a maximum of 60°C.
- Water heated to wash clothes, dishes and for other uses can cause serious burns.
- In order to avoid exposure to extremely hot water that can cause serious burns, never leave children, old people, disabled or handicapped people in the bath or shower alone.
- Never allow young children to turn on the hot water or fill their own bath.
- Adjust the water temperature in accordance with usage and plumbing regulations.
- The risk of developing bacteria exists, including “*Legionella pneumophila*”, if a minimum temperature of 60°C is not maintained in both the DHW tank and the hot water distribution network.



### Essential instructions for the electrical safety

- Only an approved installer is authorized to carry out the electrical connections.
- Install a 2-way switch and a fuse or circuit breaker of the recommended rating outside the appliance, so as to be able to shut power down when servicing the appliance or before performing any operation on it.
- Shut down external electrical supply of the appliance before performing any operation on the electrical circuit.
- This appliance is not intended for use by persons (including children) with reduced physical, sensory or mental capabilities, or lack of experience and knowledge, unless supervised or unless they have been given instruction concerning the use of the appliance by a person responsible for their safety.

**PREPARATION OF THE TANK (SMART ME 600 - 800)**



## CONNECTION



### Essential instructions for the safety of persons and the environment

- Refer to the safety instructions for the installation. Failure to comply with these instructions can result in damages to the system, severe injuries or death.
- Hot water can burn! ACV recommends using a pre- set thermostatic mixing valve in order to provide hot water at a maximum of 60°C.



### Essential instructions for the correct operation of the system

- The filling circuit of the DHW tank must be equipped with a safety group, comprised at least of a stop valve, a check valve, a safety valve set at 7 bar, and possibly, an expansion vessel of the appropriate size. Make sure that the circuit between the tank and the safety valve is always open.
- The third DHW tank connection, if any, can be used for the auxiliary DHW loop. If the connection is not used, replace the protective plug by a brass plug of the appropriate size.



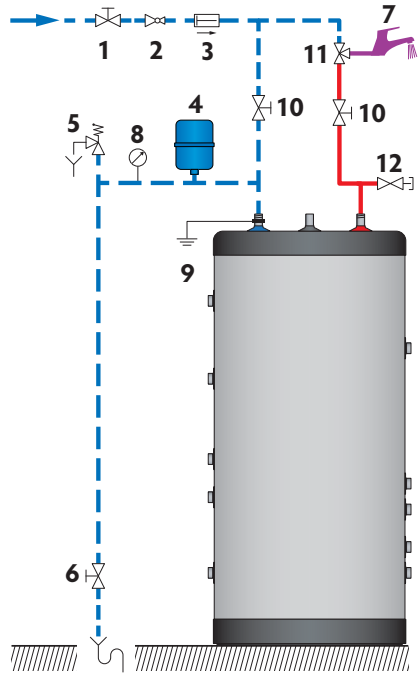
### General remarks

- In certain countries the domestic kits must be approved.
- The circuit illustrations are basic principle diagrams only.
- To protect the primary circuit when the stop valves are closed, a safety valve (3 bar) and expansion vessel are imperative between the tank and the stop valves.

## CONNECTION TO THE DHW CIRCUIT

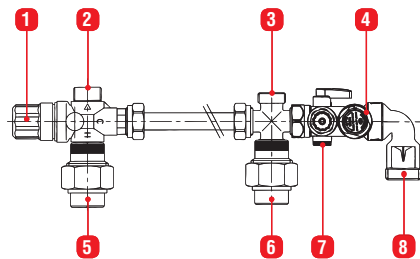
1. Filling valve
2. Pressure reducing valve (set at 4.5 bar)
3. Check valve
4. DHW expansion vessel
5. Safety valve (set at 7 bar)
6. Drain valve
7. Draw-off tap
8. Pressure gauge
9. Grounding
10. Stop valve
11. Thermostatic mixing valve
12. Air vent

— — — — — Cold water  
————— Hot water



### Domestic hot water kit (option) (not usable for the Smart ME 800)

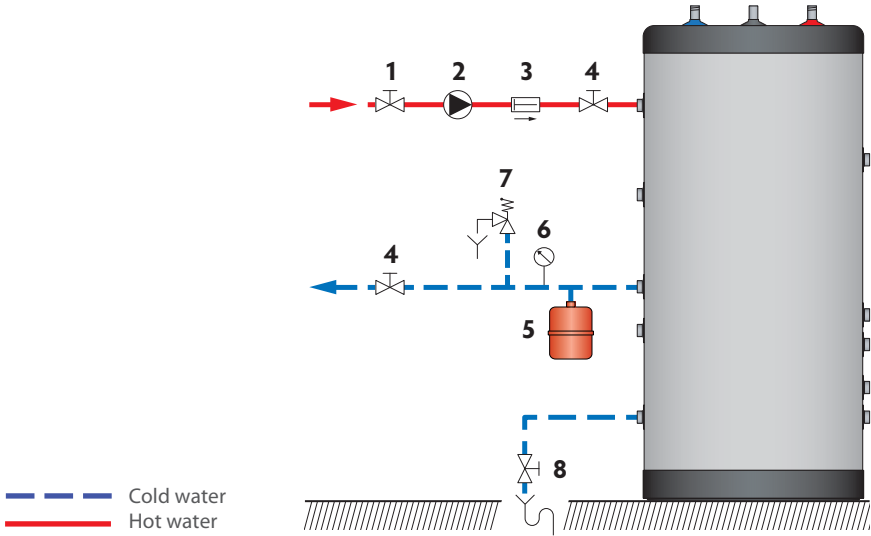
1. Thermostatic mixing valve
2. Mixed water outlet - Ø 3/4" [M]
3. DHW expansion vessel connection - Ø 3/4" [M]
4. Safety unit (7 bar)
5. Outlet hot water tank - Ø 3/4" [F]
6. Inlet cold water tank - Ø 3/4" [F]
7. Cold water inlet - Ø 3/4" [M]
8. Drain connection - Ø 1" [M]



The drain connection **8** must be connected to the sewer system to avoid hot water projections on the top cover of the tank.

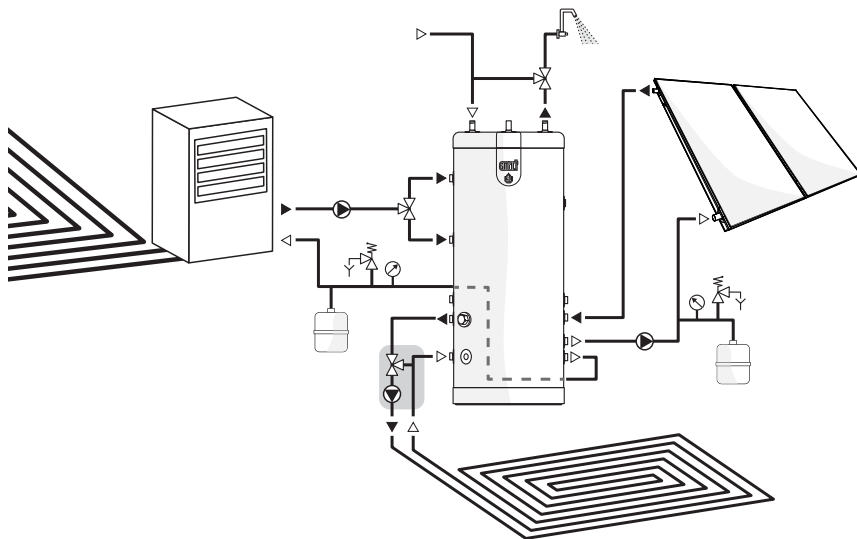
## CONNECTION TO THE PRIMARY CIRCUIT

1. Primary circuit filling valve
2. Charging pump
3. Check valve
4. Primary circuit stop valve
5. Expansion vessel
6. Pressure gauge
7. Safety valve (set at 3 bar)
8. Drain valve

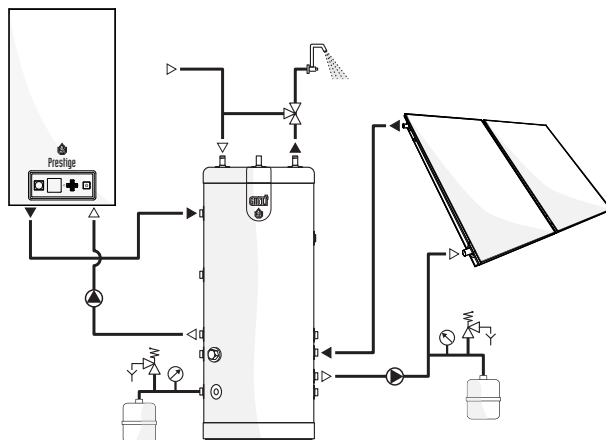




EXAMPLES OF DIFFERENT POSSIBLE COMBINATIONS OF THE SMART ME



Smart ME combined with a heat pump, solar panels and floor heating system.

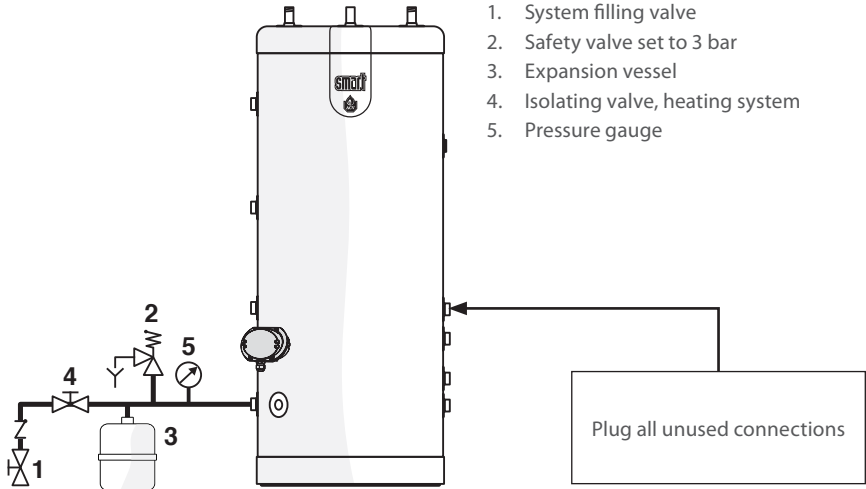


Smart ME combined with a boiler and solar panels.

## SMART ME TANK USED AS ELECTRIC DHW TANK ONLY



Do not power the heating element if the outside tank is not filled and bled.



Essential instruction for the correct operation of the installation

- Connections must be carried out in accordance with applicable standards and regulations.

## SAFETY INSTRUCTIONS TO FILL THE TANK



### Essential instructions for the safety of persons and the environment

- The DHW tank must always be filled and pressurised before filling and pressurising the primary circuit.
- Do not use vehicle antifreeze. This can cause serious injury or death, or damage facilities.
- If antifreeze is needed in the primary circuit, it must comply with Public Hygiene Regulations and must be non-toxic. A food-grade Propylene Glycol is recommended. It must be diluted according to the ratio recommended in the local regulations.
- Consult the manufacturer to determine the compatibility of the antifreeze with the tank's construction materials.



### Essential instructions for the correct operation of the system

- Before bringing the tank into service, check the connections to avoid any risk of leaks during filling.
- Only use drinking water to check that the DHW tank is watertight. The on-site test pressure must not exceed a pressure surge of 8,6 bar.
- Using antifreeze in the primary circuit will lead to a reduction in the heating performance. The higher the concentration of antifreeze in the circuit, the lower the performance.

## FILLING



Essential instruction for the correct operation of the system

- The DHW tank must always be filled and pressurised before filling and pressurising the primary circuit.

## FILLING THE DHW TANK (Figure 1)



General remark

- Connect the safety valve outlet to the sewer.
1. To fill the tank, open a hot water tap (2) located at the highest point of the system. It enables to bleed the air from the system.
  2. Open the filling valve (1) and the stop valves (3) to fill the DHW tank.
  3. Close the hot water tap (2), after the water flow has stabilised and the air has been completely evacuated.
  4. Check all the connections of the system for leaks.

## FILLING THE PRIMARY CIRCUIT (Figure 2)



General remark

- If the tank is used within a heating system, refer to the heating boiler manual.
1. Check that the drain valve (3) of your primary circuit is tightly closed.
  2. Open the stop valves (1) and (2) of the primary circuit connected to the heating boiler.
  3. Open the air bleed valve (4) located at the top of the hot water tank.
  4. Connect the filling pipe to the valve (3) and open the valve to start filling the heating circuit.
  5. Once the system is bled from air, close the air bleed valve (4). Make sure the air bleed valve is tight.
  6. Once the desired pressure is reached, close the valve (3) and disconnect the filling pipe from the valve (3).

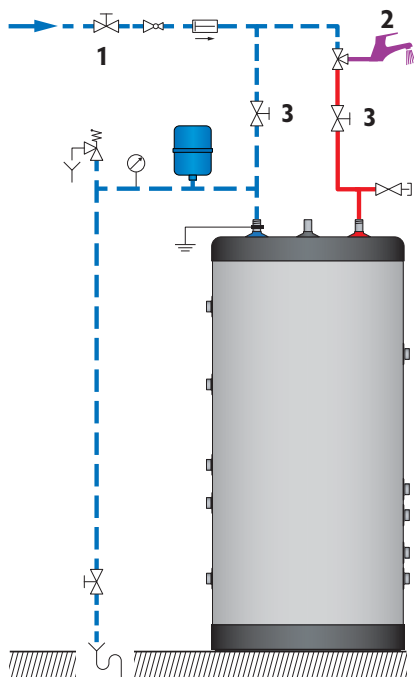


Figure 1

--- Cold water  
--- Hot water

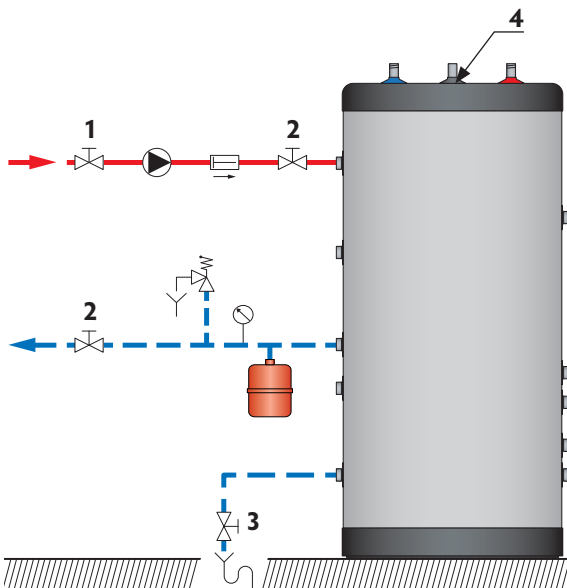


Figure 2

## CHECKS BEFORE STARTING UP

- Check that the safety valves (DHW and primary) are correctly installed and that the outlets are connected to the sewer.
- Check that the DHW tank and the primary circuit are filled with water.
- Check that the air has been correctly bled from both circuits.
- Check that the tank's upper air bleed valve is tight.
- Check that the water side and heat source side pipes are correctly connected and not leaking.

## STARTING UP

If the tank is used as electric DHW tank only:

1. Put the electric plug into the mains socket
2. Adjust the required temperature using the control thermostat integrated in the electrical resistance.

If the tank is used within a heating installation:



**To put the installation into service, refer to the heating boiler manual.**

1. Adjust the required temperature using the control thermostat of the tank.  
(Smart ME 600 - 800 : Control thermostat is not provided in standard appliance).

## PERIODIC CHECKS BY THE USER

- Check the pressure of the primary circuit pressure gauge: it should be between 0.5 and 1.5 bar.
- Visually inspect, on a regular basis, the valves, connections and accessories in order to detect any leaks or malfunction.
- Periodically check the air bleed valve located on the tank top to ensure that it is not leaking.
- Check that the DHW water circuit safety valves are in good operating condition.
- In the event of a problem, please contact an engineer or your installer.

## ANNUAL MAINTENANCE



### Essential instructions for the correct operation of the appliance

- **The discharge pipe of the safety unit must be open to the outside. If the safety unit drips periodically, it may be due to an expansion problem or clogging of the valve.**
- **For internal inspections, the hand hole can be used. If there is none, use one of the water connections to insert the appropriate inspection equipment. If necessary, drain the tank before inspection.**

The annual maintenance service, performed by an engineer, must include:

- A check of the air bleed valve: the bleeding of air can lead to the need for adding water to the system.
- A check of the primary and DHW circuit pressure gauges.
- The manual activation of the storage water circuit safety valve once a year. This operation will lead to a discharge of hot water.
- A check of the correct operation of valves, taps, control units and accessories that are possibly installed [refer to the manufacturer's instructions if necessary].

## DRAINING



Essential instruction for the safety of persons and the environment

- The water coming out of the drain valve is very hot and can cause very severe burns. Make sure the area around the hot water flow is clear of people.



Essential instruction for the electrical safety

- Shut down the external electrical supply of the appliance before draining.



Essential instructions for the correct operation of the system

- Drain the tank if it is not used in winter and is at risk from exposure to ice. If the primary circuit water contains antifreeze, only the DHW tank must be drained. If the heating circuit does not contain antifreeze, the heating circuit and domestic water must be drained.
- Before draining the DHW, isolate the tank and lower the pressure of the heating circuit to 1 bar, in order to prevent the DHW tank from being crushed.

### DRAINING THE PRIMARY CIRCUIT (Figure 3)

To drain the primary circuit of the hot water heater:

1. Stop the charging pump.
2. Isolate the primary circuit by closing the stop valves (1).
3. Connect the drain valve (2) to the sewer using a flexible hose.
4. Open the drain valve (2) and drain the water from the primary circuit to the drain.
5. Open the tank's air bleed valve (3) to accelerate drainage.
6. Close the drain valve (2) and air bleed valve (3) after draining the tank.

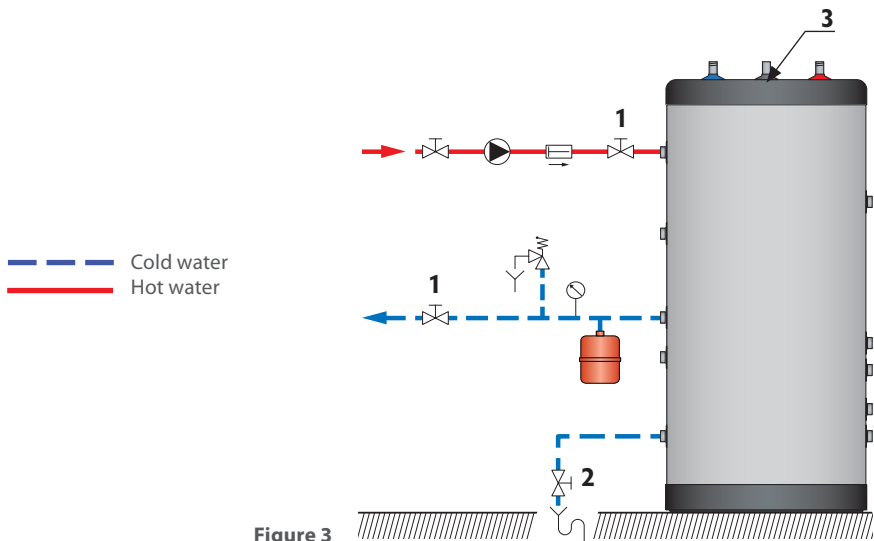


Figure 3

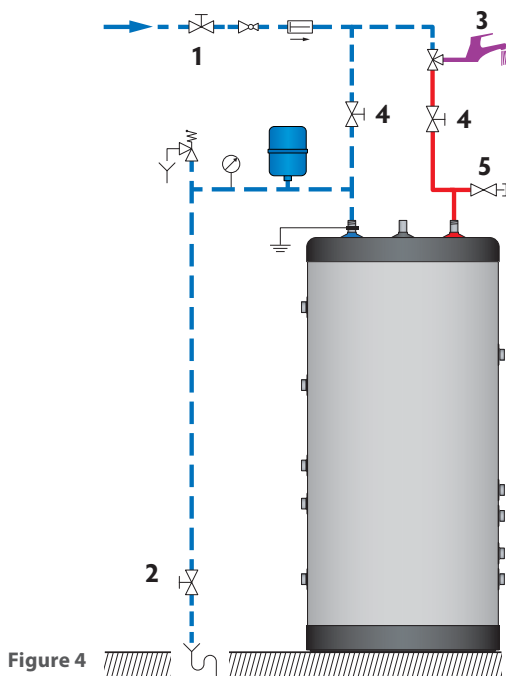


## DRAINING THE DHW TANK (Figure 4)

To drain the hot water heater's DHW tank:

1. Open fully the hot water tap (3) for at least 60 minutes to make sure the DHW tank has cooled down sufficiently.
2. Close the filling valve (1) and the stop valve (4).
3. Connect the drain valve (2) to the sewer using a flexible hose.
4. Open the drain valve (2) and the air vent (5) to drain the water from the DHW tank to the sewer.
5. Close the drain valve (2) and the air vent (5) after having drained the DHW tank.

— Cold water  
— Hot water



## BRINGING BACK INTO SERVICE AFTER MAINTENANCE

Refer to chapter "Starting up", page 35

## FAULT FINDING

What to do if the domestic hot water is not heated anymore?

<b>1</b>	Check the power supply, when the tank operates as electric DHW tank only (electrical resistance activated).				
<b>2</b>	Check the proper operation of the boiler and the control thermostat of the tank.				
<b>3</b>	Check if the charging pump works properly and replace if necessary				
<b>4</b>	Check the safety thermostat on the tank and/or the electric heating element and reset or replace if necessary.				
<b>5</b>	Check the electric heating element and replace if necessary.				
<b>Models</b>					
	Smart ME 200 - 300 - 400		●	●	●
	Smart ME 200 - 300 - 400 + electric heating element	●	●	●	●
	Smart ME 600 + control thermostat kit			●	●
	Smart ME 600 + electric heating element	●	●	●	●
	Smart ME 800 + control thermostat kit			●	●