

**Hygienic storage tank (4 bar)**

# KWS

**500/800/1.000/**

**1.500 LITRE**

“

**This hygiene storage tank has large heat exchangers for connecting a solar system!**

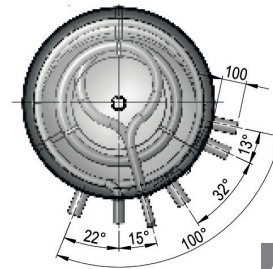
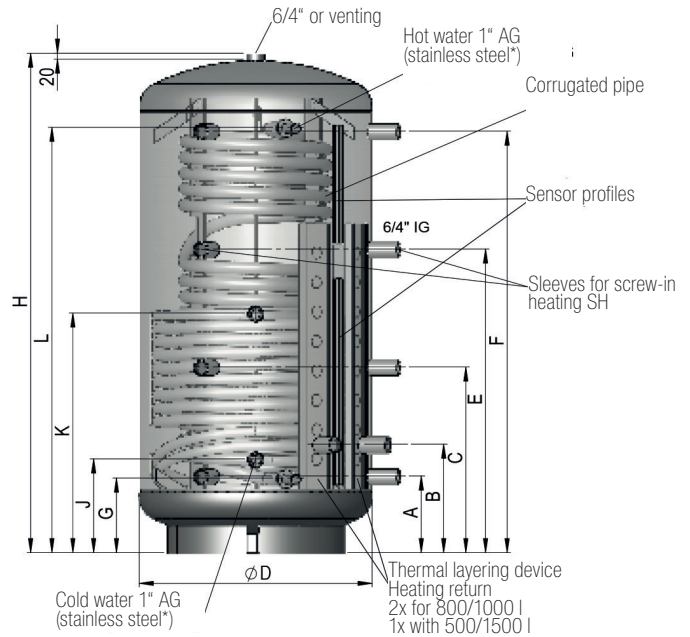
”



# HYGIENIC STORAGE TANK

## TECHNICAL DATA

- Operating pressure:
  - Corrugated tube 6 bar, buffer 4 bar,
  - heat exchanger 10 bar
- Capacity: 500 L, 800 L, 1,000 L
- 100 mm ECO SKIN insulation
- High-quality fastening of the corrugated stainless steel pipe
- Large heat exchanger for connection of a solar system
- Layering device for the energy-efficient layering of the heating circuit return
- 2 6/4" screw-in sleeves for optional installation of an additional electric heater (except KWS 1500)
- It is possible to connect additional buffer storage tanks in series (cascade connection).



## ECO DESIGN-LABELING

5 YEARS WARRANTY

Type	Heat loss according to EN 12897		Tapping profile	Energy efficiency class
	in kWh/24h	S in watts		
<b>KWS 500</b>	2,10	87,5	3XL	<b>C</b>
<b>KWS 800</b>	2,66	110,8	3XL	<b>C</b>
<b>KWS 1000</b>	3,09	128,8	4XL	<b>C</b>
<b>KWS 1500</b>	3,74	155,8	4XL	<b>C</b>

## TECHNISCHE DATEN

Type	Article.no.	Dimensions in mm											Corrugated pipe in m <sup>2</sup>	Tilt dimension in mm	Heat exchanger surface in m <sup>2</sup>	Content Stainless steel corrugated pipe in l	Installation length in mm	Weight in kg
		H	D <sub>0</sub>	A	B	C	E	F	G	J	K	L						
<b>KWS 500</b>	A 367 31	1640	650	220	335	620	1010	1390	220	290	740	1425	5	1670	1,8	25	700	129
<b>KWS 800</b>	A 367 32	1700	790	260	368	630	1030	1430	253	318	813	1443	6,5	1750	2,5	33	840	162
<b>KWS 1000</b>	A 367 33	2050	790	310	418	745	1250	1710	253	318	948	1793	7,5	2090	3,1	39	840	192
<b>KWS 1500</b>	367 34	2150	1000	380	470	825	1350	1760	306	370	910	1826	7,5	2270	3,5	39	1050	291

## ZUBEHÖR

Types	Article.no.	Designation
<b>ZL</b>	A 367 35	Circulation lance for KWS

BUFFER TANKS